

Robert Bosch GmbH
Power Tools Division
70745 Leinfelden-Echterdingen
Germany

www.bosch-garden.com

F 016 L70 927 (2013.10) O / 10 XXX



3 165140 709279

AMW

10



en Original instructions



2 | English

English

Safety Notes

Explanation of symbols



General hazard safety alert.



Read instruction manual.



Do not use the machine in the rain or leave it outdoors when it is raining.



Switch off and remove plug from mains before adjusting, cleaning or if the cable is entangled and before leaving the garden product unattended for any period.



General Power Tool Safety Warnings



Read all safety warnings and all instructions. Failure to follow the warnings

and instructions may result in electric shock, fire and/or serious injury.

Save all warnings and instructions for future reference.

Safety notes and instructions in the relevant user manual of the multitool-attachment intended for use must also be observed.

Work area safety

- ▶ **Keep work area clean and well lit.** Cluttered or dark areas invite accidents.
- ▶ **Do not operate power tools in explosive atmospheres, such as in the presence of flammable liquids, gases or dust.** Power tools create sparks which may ignite the dust or fumes.
- ▶ **Keep children and bystanders away while operating a power tool.** Distractions can cause you to lose control.

Electrical safety

- ▶ **Power tool plugs must match the outlet. Never modify the plug in any way. Do not use any adapter plugs with earthed (grounded) power tools.** Unmodified plugs and matching outlets will reduce risk of electric shock.
- ▶ **Avoid body contact with earthed or grounded surfaces, such as pipes, radiators, ranges and refrigerators.** There is an increased risk of electric shock if your body is earthed or grounded.
- ▶ **Do not expose power tools to rain or wet conditions.** Water entering a power tool will increase the risk of electric shock.

- ▶ **Do not abuse the cord. Never use the cord for carrying, pulling or unplugging the power tool. Keep cord away from heat, oil, sharp edges and moving parts.** Damaged or entangled cords increase the risk of electric shock.
- ▶ **When operating a power tool outdoors, use an extension cord suitable for outdoor use.** Use of a cord suitable for outdoor use reduces the risk of electric shock.
- ▶ **If operating a power tool in a damp location is unavoidable, use a residual current device (RCD) protected supply.** Use of an RCD reduces the risk of electric shock.

Personal safety

- ▶ **Stay alert, watch what you are doing and use common sense when operating a power tool. Do not use a power tool while you are tired or under the influence of drugs, alcohol or medication.** A moment of inattention while operating power tools may result in serious personal injury.
- ▶ **Use personal protective equipment. Always wear eye protection.** Protective equipment such as dust mask, non-skid safety shoes, hard hat, or hearing protection used for appropriate conditions will reduce personal injuries.
- ▶ **Prevent unintentional starting. Ensure the switch is in the off-position before connecting to power source and/or battery pack, picking up or carrying the tool.** Carrying power tools with your finger on the switch or energising power tools that have the switch on invites accidents.
- ▶ **Remove any adjusting key or wrench before turning the power tool on.** A wrench or a key left attached to a rotating part of the power tool may result in personal injury.
- ▶ **Do not overreach. Keep proper footing and balance at all times.** This enables better control of the power tool in unexpected situations.
- ▶ **Dress properly. Do not wear loose clothing or jewellery. Keep your hair, clothing and gloves away from moving parts.** Loose clothes, jewellery or long hair can be caught in moving parts.
- ▶ **If devices are provided for the connection of dust extraction and collection facilities, ensure these are connected and properly used.** Use of dust collection can reduce dust-related hazards.

Power tool use and care

- ▶ **Do not force the power tool. Use the correct power tool for your application.** The correct power tool will do the job better and safer at the rate for which it was designed.
- ▶ **Do not use the power tool if the switch does not turn it on and off.** Any power tool that cannot be controlled with the switch is dangerous and must be repaired.
- ▶ **Disconnect the plug from the power source and/or the battery pack from the power tool before making any adjustments, changing accessories, or storing power tools.** Such preventive safety measures reduce the risk of starting the power tool accidentally.

- ▶ **Store idle power tools out of the reach of children and do not allow persons unfamiliar with the power tool or these instructions to operate the power tool.** Power tools are dangerous in the hands of untrained users.
- ▶ **Maintain power tools. Check for misalignment or binding of moving parts, breakage of parts and any other condition that may affect the power tool's operation. If damaged, have the power tool repaired before use.** Many accidents are caused by poorly maintained power tools.
- ▶ **Keep cutting tools sharp and clean.** Properly maintained cutting tools with sharp cutting edges are less likely to bind and are easier to control.
- ▶ **Use the power tool, accessories and tool bits etc. in accordance with these instructions, taking into account the working conditions and the work to be performed.** Use of the power tool for operations different from those intended could result in a hazardous situation.

Service

- ▶ **Have your power tool serviced by a qualified repair person using only identical replacement parts.** This will ensure that the safety of the power tool is maintained.

Additional safety warnings

- ▶ This machine is not intended for use by persons (including children) with reduced physical, sensory or mental capabilities, or lack of experience and knowledge, unless they have been given supervision or instruction concerning use of the machine by a person responsible for their safety. Children should be supervised to ensure that they do not play with the machine.
- ▶ Never allow children or people unfamiliar with these instructions to use the tool. Local regulations may restrict the age of the operator. When not in use, store the tool out of reach of children.
- ▶ Before use check the supply and extension cord for signs of damage or ageing. If the cord becomes damaged during use, disconnect the cord from the supply immediately. **DO NOT TOUCH THE CORD BEFORE DISCONNECTING THE SUPPLY.** Do not use the garden product if the cord is damaged or worn.
- ▶ If the supply cord is damaged, it must be replaced by the manufacturer, its service agent or similarly qualified persons in order to avoid a hazard.
- ▶ **Keep extension cords away from cutting elements.**
- ▶ Before using the machine and after impact, check for signs of wear or damage and repair if necessary.
- ▶ Never operate the product when you are tired, ill or under the influence of alcohol, drugs or medicine.
- ▶ The operator or user is responsible for accidents or damage that occur to people or property.
- ▶ Work only in daylight or in good artificial light.
- ▶ Switch off and remove the plug from the socket:
 - whenever you leave the machine unattended for any period
 - if the cable is tangled
 - **before removing the trimmer attachment**

- ▶ This tool must only be used with approved tool attachments.
- ▶ The extension pole (3 600 H43 D00) intended for use with the power unit and the Pole Pruning attachment and Hedgecutter attachment only.
- ▶ The extension pole must not be used with other attachments.
- ▶ It is only permitted to use one extension pole per attachment.
- ▶ After use, disconnect the machine from the mains and check for damage.
- ▶ Store the machine in a secure, dry place out of the reach of children. Do not place other objects on top of the machine.

Electrical Safety

- ▶ **Warning! Switch off, remove plug from mains before adjusting, cleaning or if cable is cut, damaged or entangled.**

Your machine is double insulated for safety and requires no earth connection. The operating voltage is 230 V AC, 50 Hz (for non-EU countries 220 V). Only use approved extension cables. Contact your Bosch Service Centre for details.

It is recommended for increased electrical safety to use a Residual Current Device (RCD) with a tripping current of not more than 30 mA. Always check your RCD every time you use it.

For products **not sold in GB:**

WARNING: For your safety, it is required that the plug attached to the machine is connected with the extension cord. The coupling of the extension cord must be protected against splash water, be made of rubber or coated with rubber. The extension cord must be used with a cable strain relief.

The connection lead must be inspected for signs of damage at regular intervals and may only be used if in perfect condition.

If the supply cord is damaged, it must be replaced by a Bosch Service Centre.

Extension cords/leads should only be used if they comply with H05VV-F or H05RN-F types.

Products sold in GB only: Your product is fitted with a BS 1363/A approved electric plug with internal fuse (ASTA approved to BS 1362).

If the plug is not suitable for your socket outlets, it should be cut off and an appropriate plug fitted in its place by an authorised customer service agent. The replacement plug should have the same fuse rating as the original plug.






The severed plug must be disposed of to avoid a possible shock hazard and should never be inserted into a mains socket elsewhere.

Products sold in AUS and NZ only: Use a residual current device (RCD) with a rated residual current of 30 mA or less.

Symbols

The following symbols are important for reading and understanding the operating instructions. Please take note of the symbols and their meaning. The correct interpretation of the symbols will help you to use the garden product in a better and safer manner.

4 | English

Symbol	Meaning
	Wear protective gloves
	Reaction direction
	Movement direction
I	Switching On
O	Switching Off
	Prohibited action
	Accessories/Spare Parts

Intended Use

This power unit is only suitable for Bosch Multi-tool attachments and intended for private gardening.

Technical Data

Power Unit		AMW 10
Article number		3 600 HA3 0..
Rated power	W	1000
No-load speed	min ⁻¹	11400
Adjustable handle		●
Extension pole	mm	700
Weight according to EPTA-Procedure 01/2003	kg	4.2
Protection class		□/II
Serial number	see type plate on the garden product	

The values given are valid for a nominal voltage [U] of 230 V. For different voltages and models for specific countries, these values can vary.

Please observe the article number on the type plate of your garden product. The trade names of the individual garden products may vary.

Declaration of Conformity

We declare under our sole responsibility that the product described under "Technical data" is in conformity with the following standards or standardization documents: EN 60335 according to the provisions of the directives 2011/65/EC, 2004/108/EC, 2006/42/EC, 2000/14/EC.

Heavy Duty Trimmer Attachment

2000/14/EC: Guaranteed sound power level 96 dB(A).

Equipment category: 33

Pole Hedgecutter Attachment

2000/14/EC: Guaranteed sound power level 103 dB(A).

Equipment category: 25


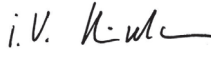
Pole Pruner Attachment

2000/14/EC: Guaranteed sound power level 107 dB(A).

Equipment category: 25

Technical file (2006/42/EC) at:
Bosch Lawn and Garden Ltd., PT-LG/ENS,
Stowmarket, Suffolk IP14 1EY, England

Henk Becker Helmut Heinzelmann
Executive Vice President Head of Product Certification
Engineering PT/ETM9

PPA:
 i.V. 

Robert Bosch GmbH, Power Tools Division
D-70745 Leinfelden-Echterdingen
14.10.2013

Noise/Vibration Information

The following information is applicable for the attachment operated by the power unit.

Pole Pruner Attachment

Measured sound values determined according to EN ISO 11680.

Typically the A-weighted noise levels of the product are:
Sound pressure level 84.5 dB(A); sound power level 104.5 dB(A). Uncertainty K = 2.5 dB.

Vibration total values (triax vector sum): Vibration emission value a_{rh} = 4.5 m/s², Uncertainty K = 1 dB.

Heavy Duty Trimmer Attachment

Measured sound values determined according to EN 60335, EN 786.

Typically the A-weighted noise levels of the product are:
Sound pressure level > 85 dB(A); sound power level 94 dB(A). Uncertainty K = 2 dB.

Vibration total values (triax vector sum): Vibration emission value a_{rh} = 3.5 m/s², Uncertainty K = 1 dB.

Pole Hedgecutter Attachment

Measured sound values determined according to EN ISO 10517.

Typically the A-weighted noise levels of the product are:
Sound pressure level 80.5 dB(A); sound power level 110.5 dB(A). Uncertainty K = 2.5 dB.

Vibration total values (triax vector sum): Vibration emission value a_{rh} = 2.5 m/s², Uncertainty K = 1 dB.

Mounting and Operation

- ▶ **Do not connect the machine to the mains socket before it is completely assembled.**
- ▶ **Do not rapidly switch off and on.**

Action	Figure	Action	Figure
Delivery Scope	1	Connecting the Extension Lead	4
Mounting the Auxiliary Handle	2	Attaching the Shoulder Strap	4
Fitting the multi-tool attachment	3	Attaching the Extension Pole	5

Troubleshooting

Problem	Possible Cause	Corrective Action
Machine fails to operate	Power turned off	Turn power on
	Mains socket faulty	Use another socket
	Extension cable damaged	Inspect cable, replace if damaged
	Fuse faulty/blown	Replace fuse
	Thermal cut out	Allow tool to cool and try again
Machine functions intermittently	Extension cable damaged	Inspect cable, replace if damaged Contact Service Agent
	Internal wiring of garden product damaged	Contact Service Agent

After-sales Service and Application Service

www.bosch-garden.com

In all correspondence and spare parts orders, please always include the 10-digit article number given on the type plate of the garden product.

Great Britain

Robert Bosch Ltd. (B.S.C.)
P.O. Box 98
Broadwater Park
North Orbital Road
Denham
Uxbridge
UB 9 5HJ
Tel. Service: (0844) 7360109
Fax: (0844) 7360146
E-Mail: boschservicecentre@bosch.com

Ireland

Origo Ltd.
Unit 23 Magna Drive
Magna Business Park
City West
Dublin 24
Tel. Service: (01) 4666700
Fax: (01) 4666888

Australia, New Zealand and Pacific Islands

Robert Bosch Australia Pty. Ltd.
Power Tools
Locked Bag 66
Clayton South VIC 3169
Customer Contact Center
Inside Australia:
Phone: (01300) 307044
Fax: (01300) 307045
Inside New Zealand:
Phone: (0800) 543353
Fax: (0800) 428570
Outside AU and NZ:
Phone: +61 3 95415555
www.bosch.com.au

Republic of South Africa

Customer service
Hotline: (011) 6519600

Gauteng – BSC Service Centre

35 Roper Street, New Centre
Johannesburg
Tel.: (011) 4939375
Fax: (011) 4930126
E-Mail: bsctools@icon.co.za

KZN – BSC Service Centre

Unit E, Almar Centre
143 Crompton Street
Pinetown
Tel.: (031) 7012120
Fax: (031) 7012446
E-Mail: bsc.dur@za.bosch.com

6 | English

Western Cape – BSC Service Centre

Democracy Way, Prosperity Park
Milnerton
Tel.: (021) 5512577
Fax: (021) 5513223
E-Mail: bsc@zsd.co.za

Bosch Headquarters

Midrand, Gauteng
Tel.: (011) 6519600
Fax: (011) 6519880
E-Mail: rbsa-hq.pts@za.bosch.com

Disposal

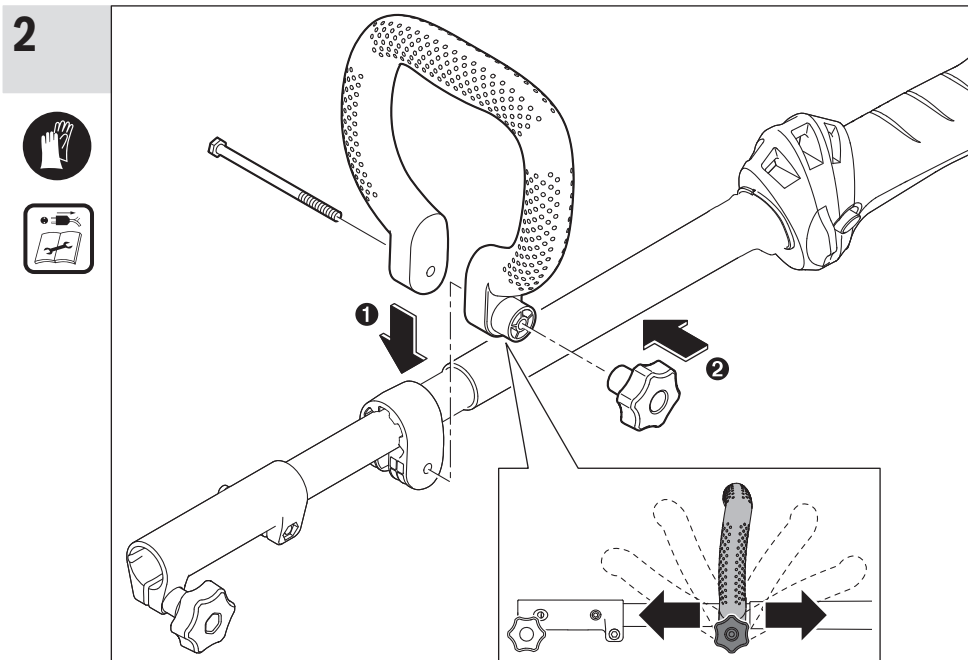
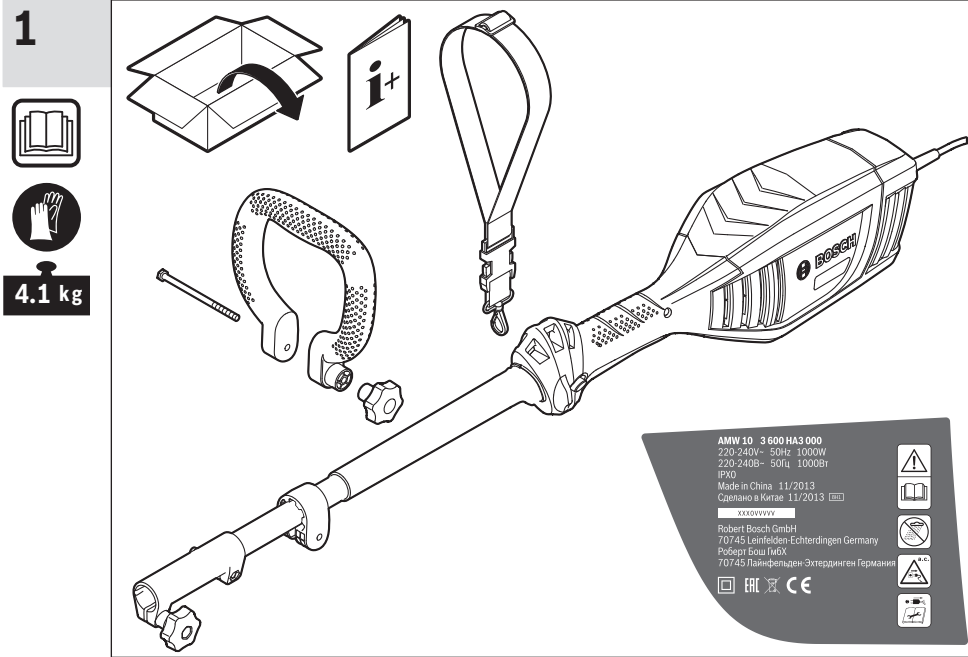
Do not dispose of garden products into household waste!

Only for EC countries:

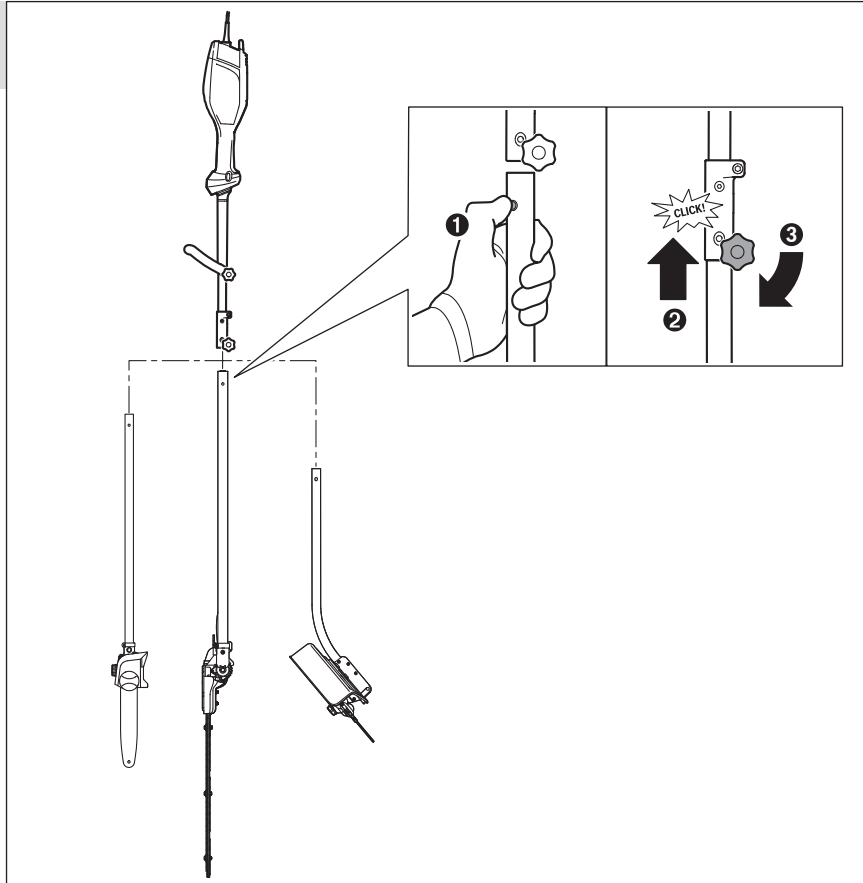


According to the European directive 2012/19/EU for Waste Electrical and Electronic Equipment and its implementation into national law, electrical and electronic equipment that are no longer usable must be collected separately and disposed of in an environmentally correct manner.

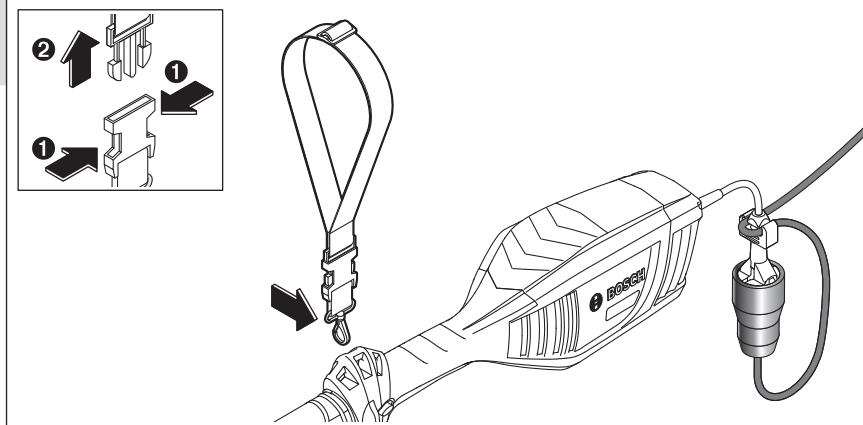
Subject to change without notice.



3

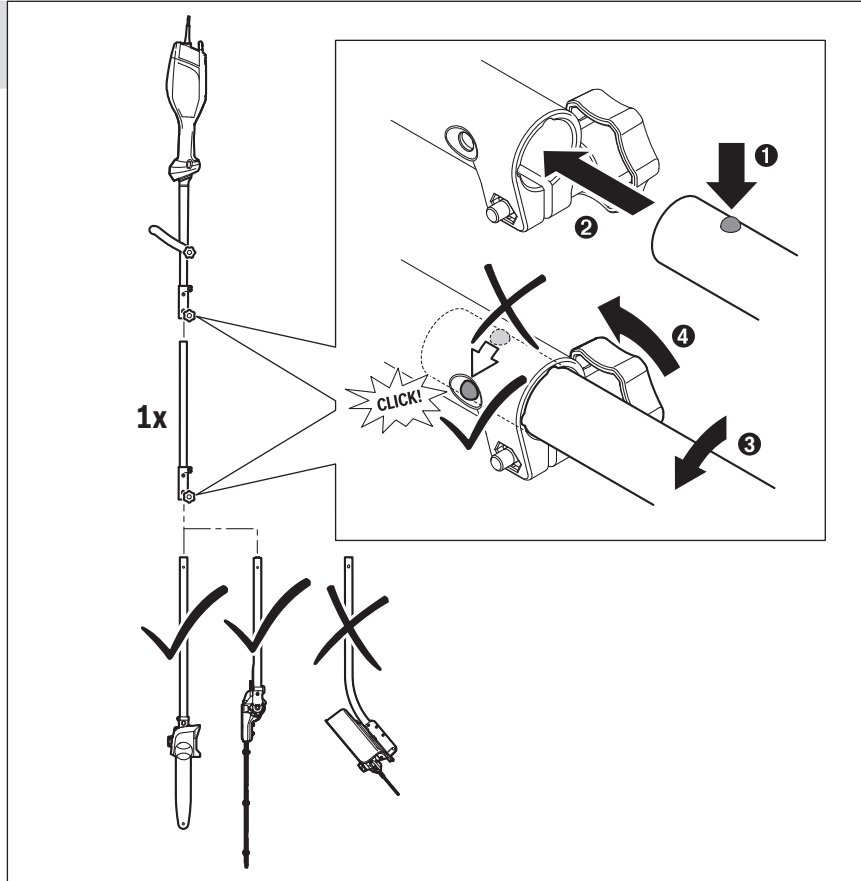


4





5



6

